

ZECA

Z

TECHNICAL EXCELLENCE. SINCE 1929.

INDUSTRIAL CABLE REELS SERIES 1400

ART. 1420

Length (m)
22

Number of conductors
1 X

Cross-section (mm²)
16

Wound cable capacity (@20°C)
50 A



CAVO UNIPOLARE
GIALLO/VERDE
CABLE SINGLE-POLE
YELLOW/GREEN

IP65

EN 61242
EN 60335-1
EN 61316

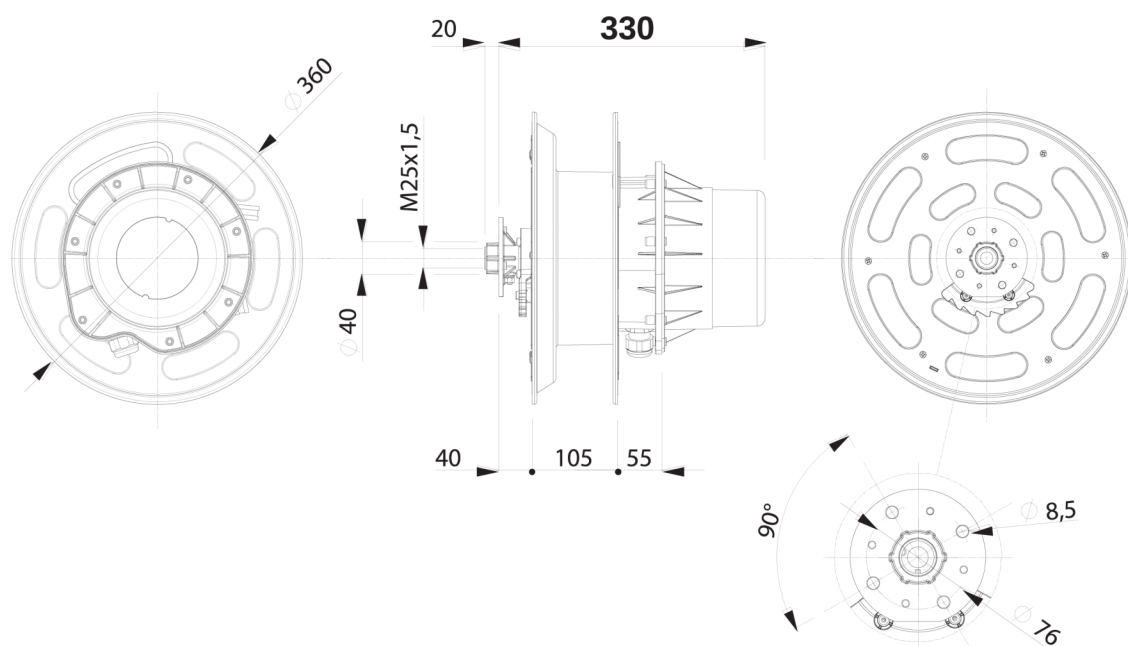
CE

2014/35/UE
2006/42/CE
2011/65/UE

TECHNICAL DATA

| Article | Cable length (m) | Reel cable length (m) | Cut length (m) | Number of conductors | Cross-section (mm ²) | Wound cable capacity (@20°C) | Cable diameter (mm) | Thermal switch | Cable type |
|-------------|------------------|-----------------------|----------------|----------------------|----------------------------------|------------------------------|---------------------|----------------|------------|
| 1420 | 22 | 20 | 2 | 1X | 16 | 50 A | 8 | NO | PVC |

Please note: The images are for illustrative and explanatory purposes only

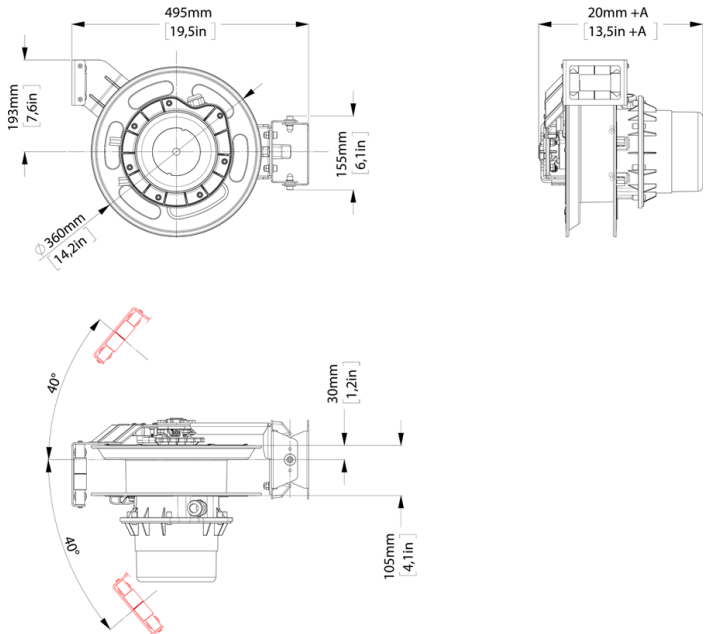
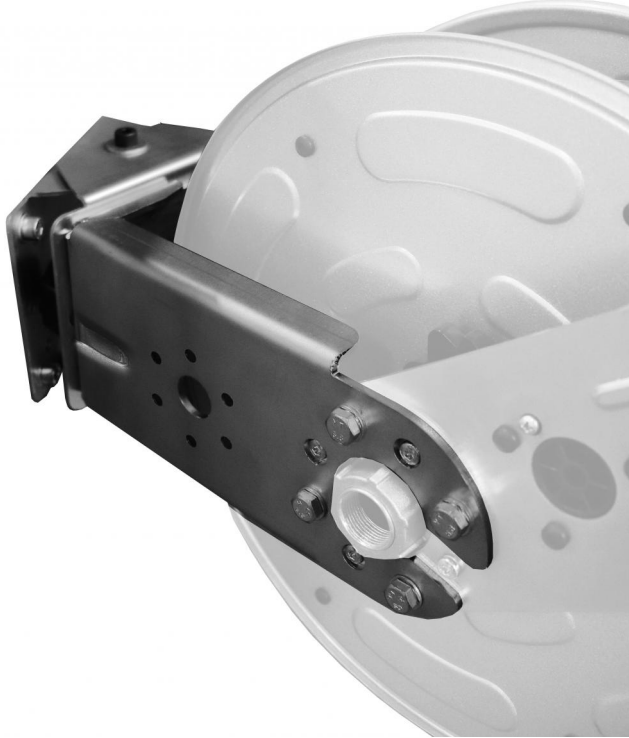
OVERALL DIMENSIONS**Technical features**

- Steel structure with epoxy and technopolymer painting.
- Side fixing flange in aluminum.
- Collectors with 20 - 50 - 100A capacity.
- Long lasting steel spring.
- Degree of protection IP65.
- Supplied without cable or with cable H05 VV-F and H07 RN-F.
- Suitable for rewinding cables from 1 to 12 conductors.
- Ambient temperature of use: -5 ° C / + 50 ° C.
- Maximum rewind speed 30 m / min.
- Collector insulation voltage 2.5 KV.

Cable reel supplied without bracket, without cable guide entry and without detent. These accessories can be purchased separately.

OPTIONAL
 ACCESSORIES AND
 SPARE PARTS

ART. 1405
 Swivel bracket

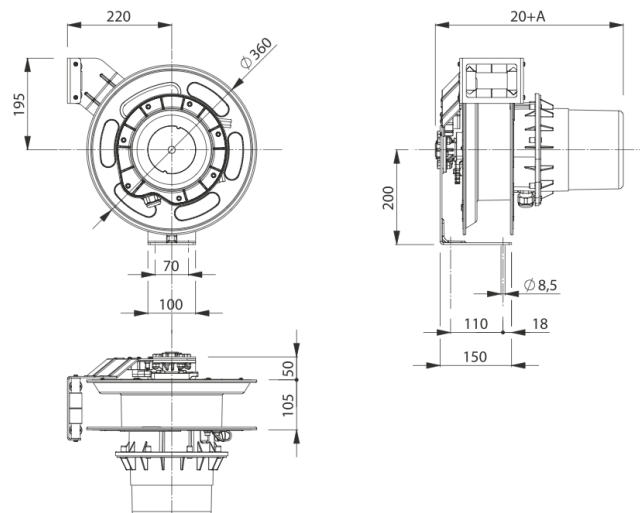


Please note: The images are for illustrative and explanatory purposes only

OPTIONAL
ACCESSORIES AND
SPARE PARTS

ART. 1403

Fixed bracket
For wall, floor or ceiling fixing.

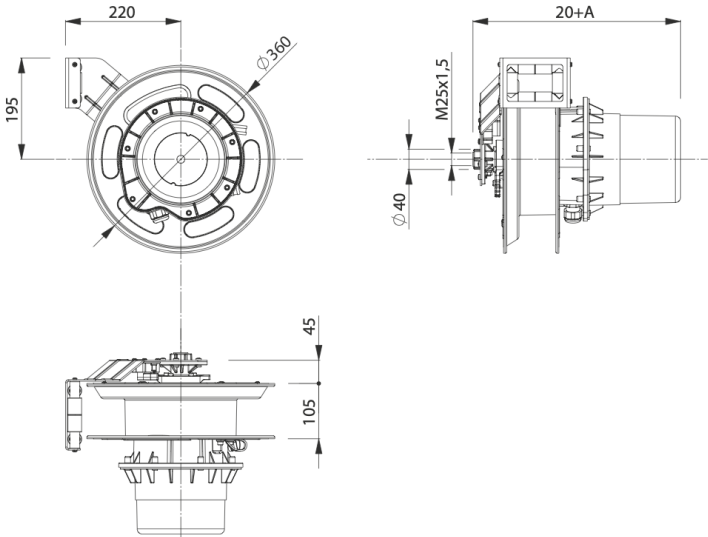
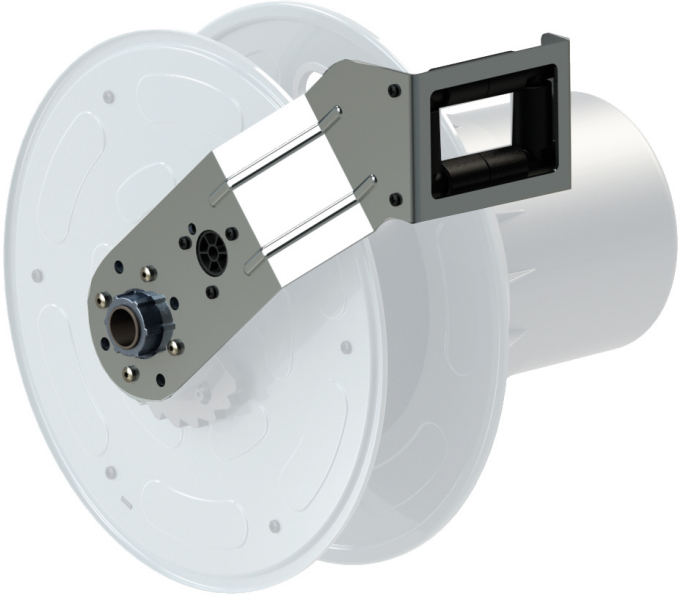


Please note: The images are for illustrative and explanatory purposes only

OPTIONAL
ACCESSORIES AND
SPARE PARTS

ART. 1406

Arm with cable guide mouth
• Complete with stop tooth.



Please note: The images are for illustrative and explanatory purposes only