

INDUSTRIAL CABLE REELS SERIES 1700

ART. 1711

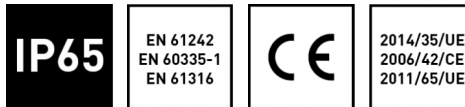
Length (m)
32

Number of conductors
1 X

Cross-section (mm²)
16



CAVO UNIPOLARE
GIALLO/VERDE
CABLE SINGLE-POLE
YELLOW/GREEN



TECHNICAL DATA

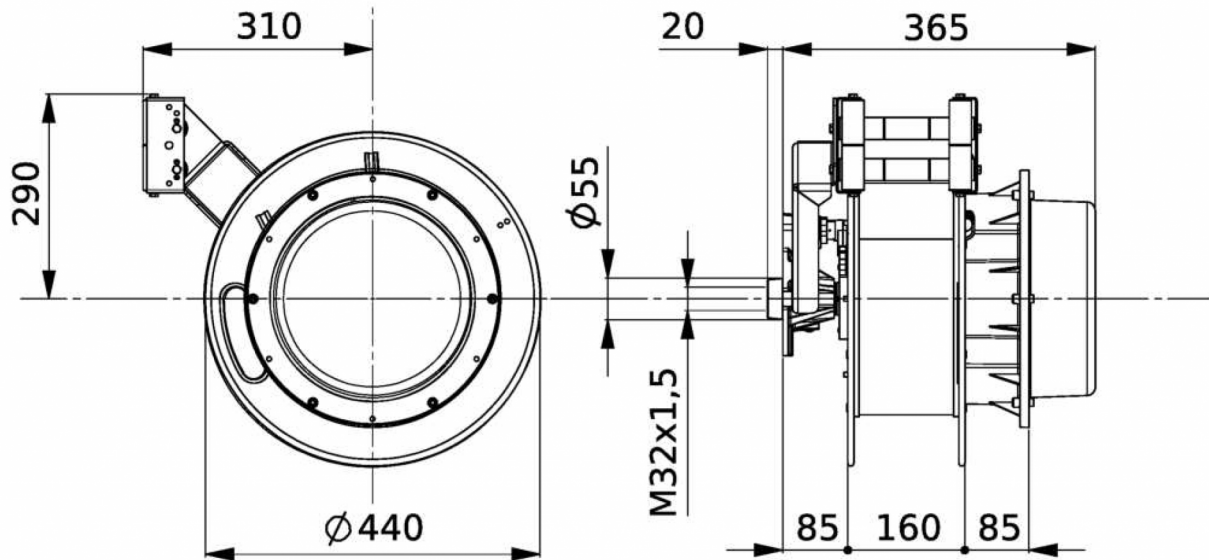
| Article | Cable length (m) | Reel cable length (m) | Cut length (m) | Number of conductors | Cross-section (mm ²) | Cable diameter (mm) | Thermal switch | Type | Installation | Cable type |
|---------|------------------|-----------------------|----------------|----------------------|----------------------------------|---------------------|----------------|------|-------------------------|------------|
| 1711 | 32 | 30 | 2 | 1X | 16 | 8 | NO | 1 | Installation 1-2-3-7 | PVC |

Optional

| 1701 | 1702 | 1703 | 1704 | 1706 | 1707 | 1708 |
|------|------|------|------|------|------|------|
| 0 | 0 | 0 | 0 | I | N | N |

Please note: The images are for illustrative and explanatory purposes only

OVERALL DIMENSIONS



Technical features

- Structure in aluminum and steel with epoxy painting
- Side fixing flange in aluminum.
- Roller cable guide mouth and stop tooth supplied only for the TYPE 1 models indicated in the table (the stop tooth is normally supplied disconnected, and can be easily inserted by the user before installation).
- Collectors with a capacity of 32 - 60 - 100 A
- Steel springs suitable for ensuring optimal pull on the cable and a long life.
- Degree of protection IP 65.
- Supplied complete with cable H05W-F, H07RN-F or without cable.
- Suitable for rewinding cables from 1 to 24 conductors, with a maximum length of 53 m.
- The winders supplied by us complete with cable are equipped with a cable clamp suitable for the cable installed.
- Supplied with 2,5 m input section.

TYPE 1 CONFIGURATION

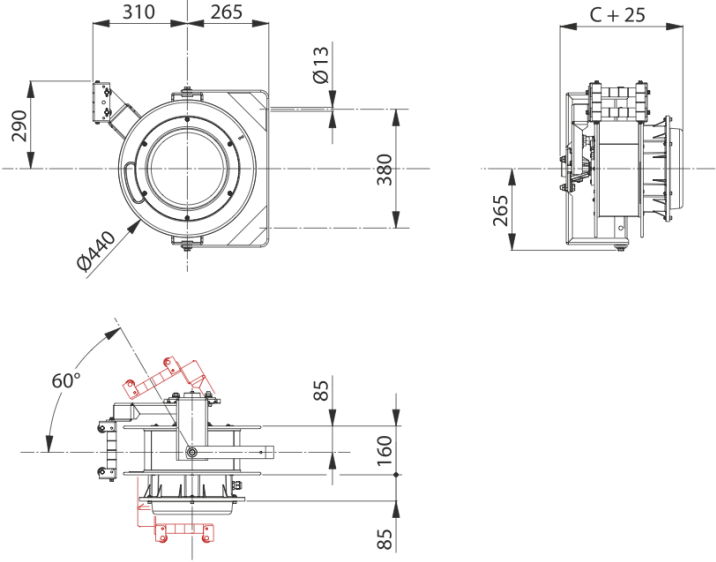


OPTIONAL
 ACCESSORIES AND
 SPARE PARTS

ART. 1701

Swivel bracket

This section illustrates the complete range
 of the cable reels of our production.



Please note: The images are for illustrative and explanatory purposes only

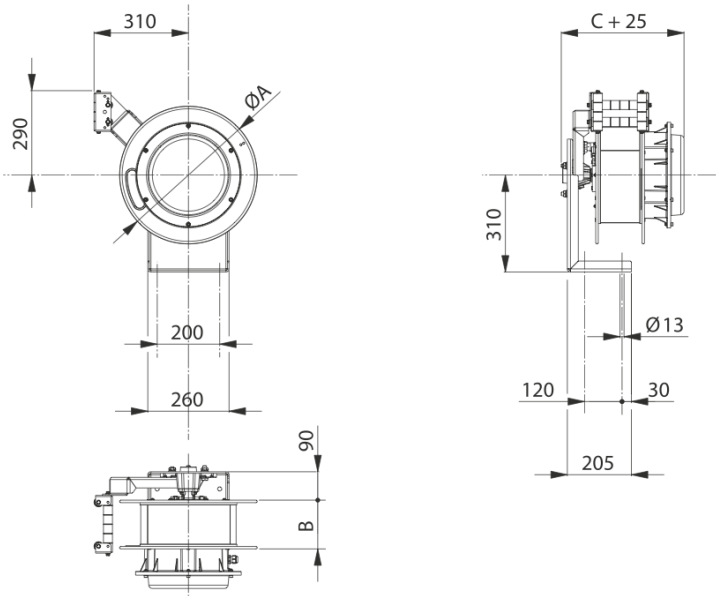
**OPTIONAL
 ACCESSORIES AND
 SPARE PARTS**

ART. 1703

Fixed bracket

For wall, floor or ceiling installation. This optional is supplied not fitted.

The cable reel can be fixed with optional bracket Art. 1703



Please note: The images are for illustrative and explanatory purposes only

OPTIONAL ACCESSORIES AND SPARE PARTS

ART. 1702

Safety Return safety device

Safety device that slows down the uncontrolled winding of the cable, if the user inadvertently does not accompany it. This device is therefore activated, allowing the operator to work safely. Its application is recommended for manual use. This accessory can be installed only while assembling the cable reel and therefore it cannot be purchased separately.



OPTIONAL ACCESSORIES AND SPARE PARTS

ART. 1704 - 1708

Oscillating arm

Swinging arm, for installations with centreline feeding. The swinging arm art. 1704 cannot be installed with other optional accessories.

These cable reels can, on request, be supplied complete with pliers:

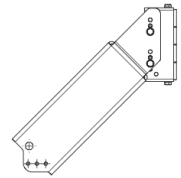
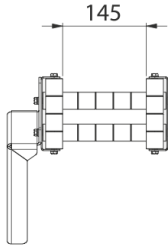
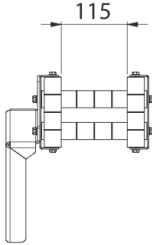
ATTENTION: it is NOT possible to install the stop tooth on the cable reels equipped with oscillating arm code 1704-1708.



OPTIONAL
ACCESSORIES AND
SPARE PARTS

ART. 1706 - 1707

Arm with cable guide entry and
detent



Please note: The images are for illustrative and explanatory purposes only