

ZECA

TECHNICAL EXCELLENCE. SINCE 1929.

INDUSTRIAL CABLE REELS SERIE 4000 IP65

ART. 4315 IP65

Length (m)
15

Number of conductors
3 G

Cross-section (mm²)
1,5

Wound cable capacity (@20°C)
1,2 KW @ 230V

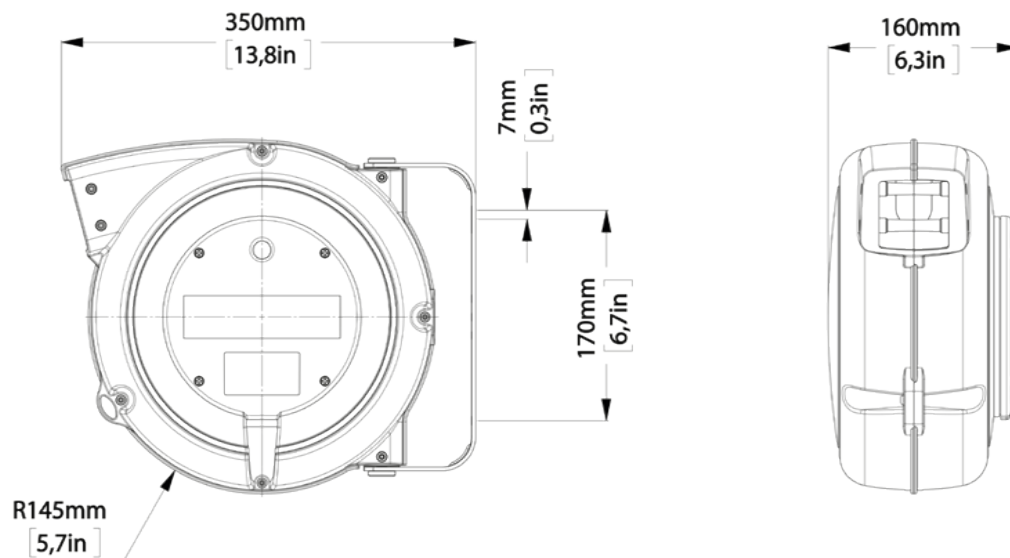


TECHNICAL DATA

Article	Cable length (m)	Reel cable length (m)	Cut length (m)	Number of conductors	Cross-section (mm ²)	Wound cable capacity (@20°C)	Unwound cable capacity (@20°C)	Cable diameter (mm)	Thermal switch	V max	Cable type
4315 IP65	15	14	1	3 G	1,5	1,2 KW @ 230V	1,8 KW @ 230V	7	YES	500	PVC

Please note: The images are for illustrative and explanatory purposes only

OVERALL DIMENSIONS



Technical features

- Structural elements of the winder in shockproof plastic.
- Roller cable guide mouth.
- Cable stop device with rack that can be inserted every 50 cm. Easily eliminated if the cable is constantly in traction.
- Double ground contact.
- Collector insulation voltage 2.5 KV.
- Sliding contacts with collector ring and brushes.
- Degree of protection IP65.
- Supplied without piece on the power supply side.
- Models with both PVC and rubber cables are available.
- Ambient temperature of use: -5 ° / + 50 °.

OPTIONAL ACCESSORIES AND SPARE PARTS

ART. 949/804-4000

for winder 4000

Optional device to make the hose reel fixed instead of swiveling.

Indispensable for ceiling application.