

ZECA

Z

TECHNICAL EXCELLENCE. SINCE 1929.

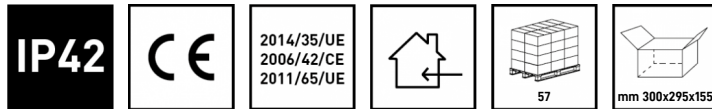
INDUSTRIAL CABLE REELS SERIES 5000 XF

ART. 5832/XF

Length (m)
10

Number of conductors
1 X

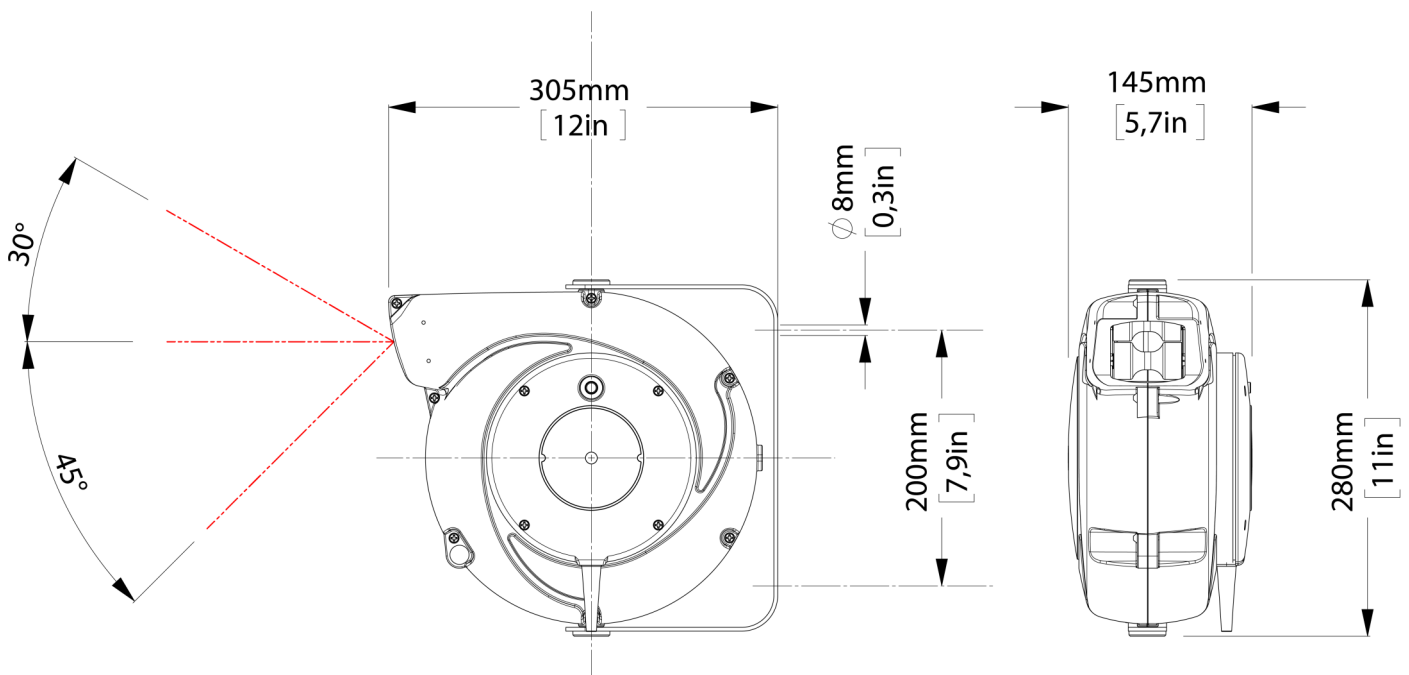
Cross-section (mm²)
16



TECHNICAL DATA

Article	Cable length (m)	Reel cable length (m)	Cut length (m)	Number of conductors	Cross-section (mm ²)	Cable diameter (mm)	Thermal switch	Oversized collector	Cable type
5832/XF	10	8.5	1.5	1X	16	8	NO	YES	PVC

Please note: The images are for illustrative and explanatory purposes only

OVERALL DIMENSIONS**Technical features**

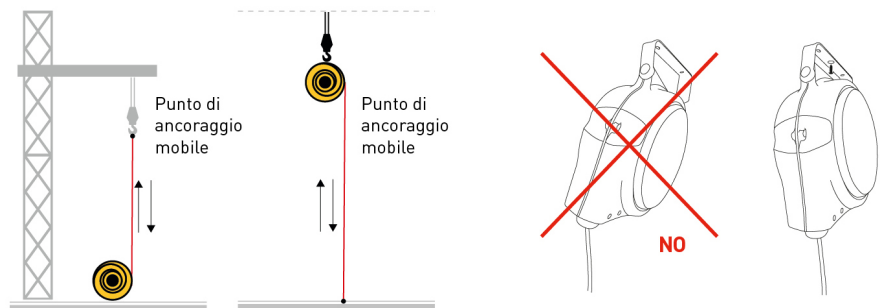
- Structural elements of the winder in shockproof plastic
- Roller cable guide mouth.
- Cable stop device with rack that can be inserted every 50cm. Easily eliminated if the cable is constantly in traction.
- Double ground contact.
- Collector insulation voltage 2.5 KV.
- Sliding contacts with collector ring and brushes.
- Degree of protection IP42.
- Ambient operating temperature -5 ° C / + 50 ° C.
- Supplied without piece on the power supply side.
- Models with both PVC and rubber cables are available.

OPTIONAL
ACCESSORIES AND
SPARE PARTS

ART. 949/5000

for winder 5000

Optional bracket fixing device. Essential for
ceiling-mounting.



OPTIONAL
ACCESSORIES AND
SPARE PARTS

ART. 5100

XF to XL conversion kit.

