

# ZECA

Z

TECHNICAL EXCELLENCE. SINCE 1929.

## CABLE REEL FOR EARTHING

EARTHING CABLE REEL  
WITH CLAMP

**ART. 5834/XF/926**

Length (m)

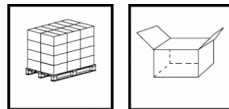
**14**

Number of conductors

**1 x**

Cross-section (mm<sup>2</sup>)

**6**

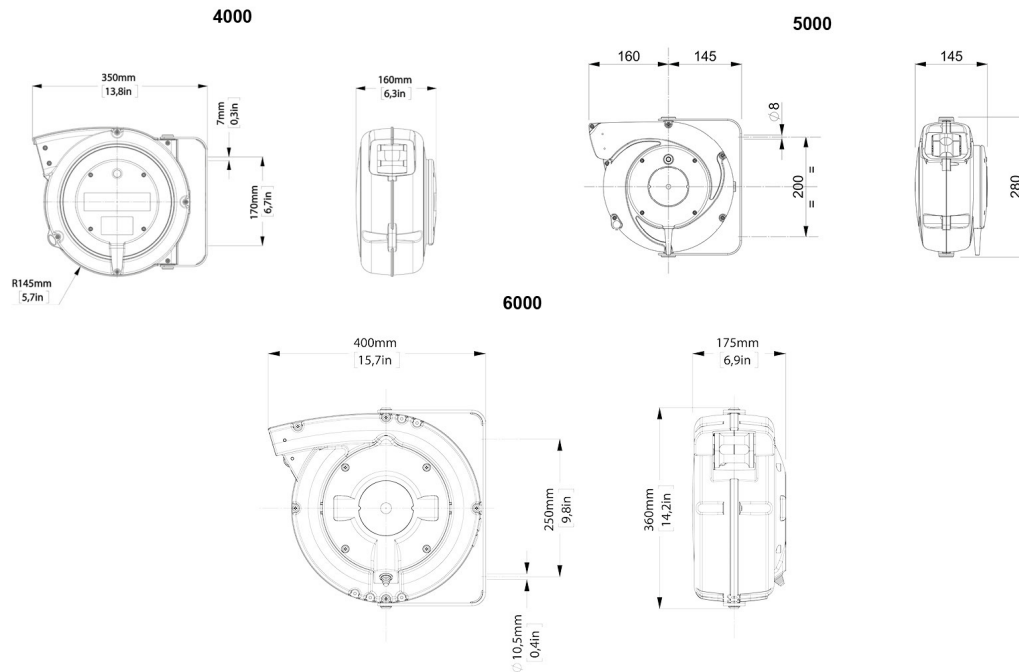


### TECHNICAL DATA

Article	Number of conductors	Cross-section (mm <sup>2</sup> )	Cable length (m)	Reel cable length (m)	Cut length (m)	Cable diameter (mm)	Cable type	Winder protection grade	Collector capacity A	Insulation voltage
<b>5836/XF/92</b> <b>6</b>	1x	6	14	12.5	1.5	5.5	H05 V-F	IP42	20	2,5 KV

Please note: The images are for illustrative and explanatory purposes only

## OVERALL DIMENSIONS



## Technical features

- These winders are equipped with single-pole yellow / green cable, H05 V-F.
- They are used to eliminate electrostatic charges (example: fuel tanker truck, electrocarbons, flammable materials, etc.).
- The user is responsible for making sure that the model is suitable for their work environment.

## CHARACTERISTICS OF CLAMP

- Strong galvanised steel sheet jaws
  - Galvanised steel return spring
  - Insulating handles made of plastic material resistant to oils, acids, solvents, immune to temperature changes
- ART.314 - 150 A CLAMP, with BLACK handle, overall length 176 mm, weight 140 g.  
 ART.925 - 150 A CLAMP, with BLACK handle, overall length 215 mm, weight 400 g.  
 ART.926 - 400 A CLAMP, with BLACK handle, overall length 215 mm, weight 580 g.