

# ZECA

TECHNICAL EXCELLENCE. SINCE 1929.

## INDUSTRIAL CABLE REELS

SERIES 6000 PRC/PRL  
IP65

### ART. 6022/PRC/IP65

Length (m)  
**12**

Number of conductors  
**5 G**

Cross-section (mm<sup>2</sup>)  
**2.5**

Wound cable capacity (@20°C)  
**2,0 KW @ 400V**

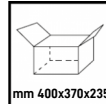
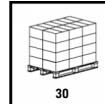


**IP65**

EN 61242  
EN 60335-1  
EN 61316

**CE**

2014/35/UE  
2006/42/CE  
2011/65/UE

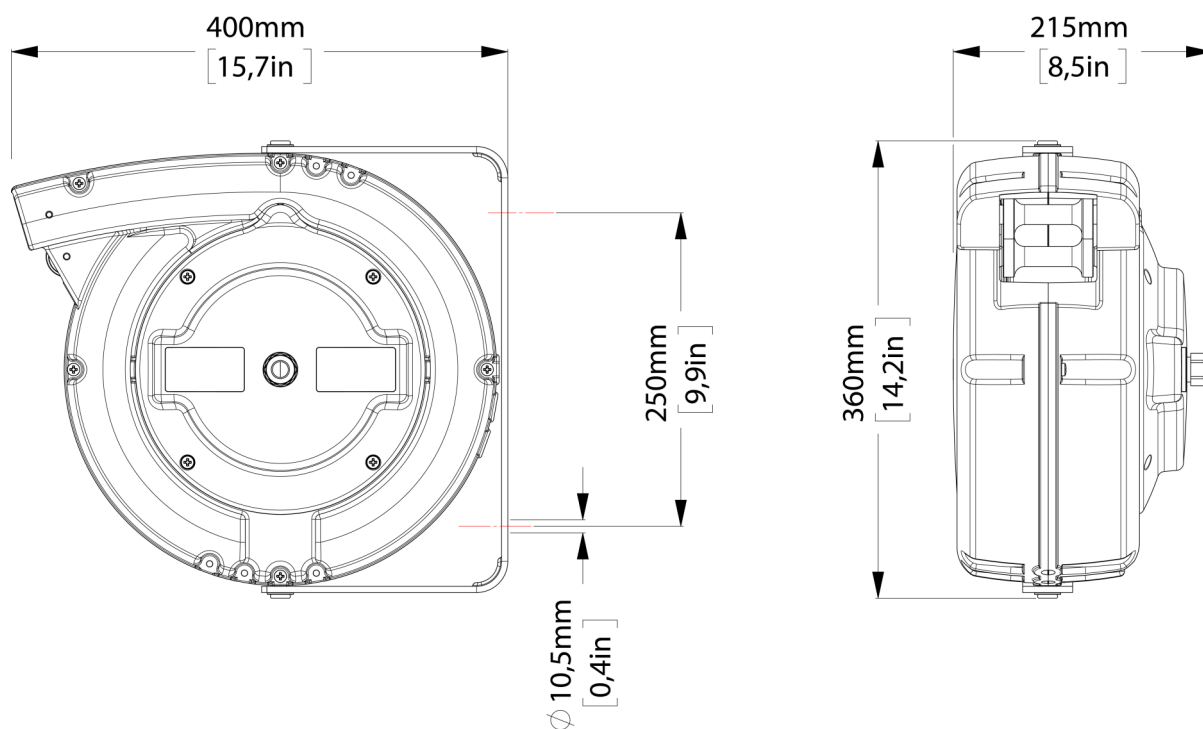


### TECHNICAL DATA

Article	Cable length (m)	Reel cable length (m)	Cut length (m)	Number of conductors	Cross-section (mm <sup>2</sup> )	Wound cable capacity (@20°C)	Unwound cable capacity (@20°C)	Cable diameter (mm)	Thermal switch	V max	Cable type
6022/PRC/IP65	12	10	2	5 G	2.5	2,0 KW @ 400V	3,0 KW @ 400V	12.5	NO	500	PVC

Please note: The images are for illustrative and explanatory purposes only

## OVERALL DIMENSIONS



## Technical features

- Die-cast aluminum structure painted with epoxy powders.
- Roller cable guide mouth.
- Cable stop device with rack that can be inserted every 50 cm. All cable reels are supplied with the cable stop device disconnected. Easily insertable.
- Double ground contact.
- Collector with brass rings and special brushes with very low voltage drop.
- Collector insulation voltage 2.5 KV.
- Sliding contacts with collector ring and brushes.
- Degree of protection IP65.
- Ambient operating temperature -5 ° C / + 50 ° C.
- Supplied with 2 m long power cable section.

ARTICLE 6100 WILL BE SUPPLIED UNFITTED.

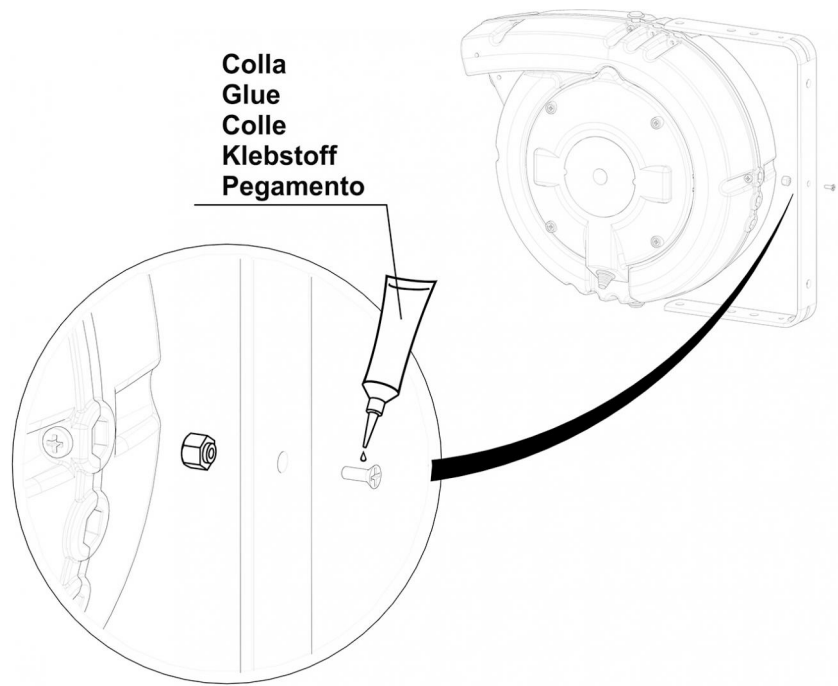
**ART. 6100**

PRC to PRL transformation kit

**OPTIONAL  
ACCESSORIES AND  
SPARE PARTS**

**ART. 949/PR**

Optional device to make the hose reel fixed instead of swiveling.  
Indispensable for ceiling application.



**ART. 953**

Bocca a rulli per avvolgitore.  
Indispensabile per le applicazioni a soffitto.

Consigliata nelle applicazioni dove il tiro del cavo non è in asse rispetto alla bocca dell'avvolgicavo

