

ZECA

TECHNICAL EXCELLENCE. SINCE 1929.

INDUSTRIAL CABLE REELS

SERIES 6000 PRC/PRL
IP65

ART. 6181/PRC/IP65

Length (m)
23

Number of conductors
4 G

Cross-section (mm²)
1.5

Wound cable capacity (@20°C)
1,1 KW @ 400V

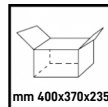
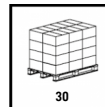


IP65

EN 61242
EN 60335-1
EN 61316

CE

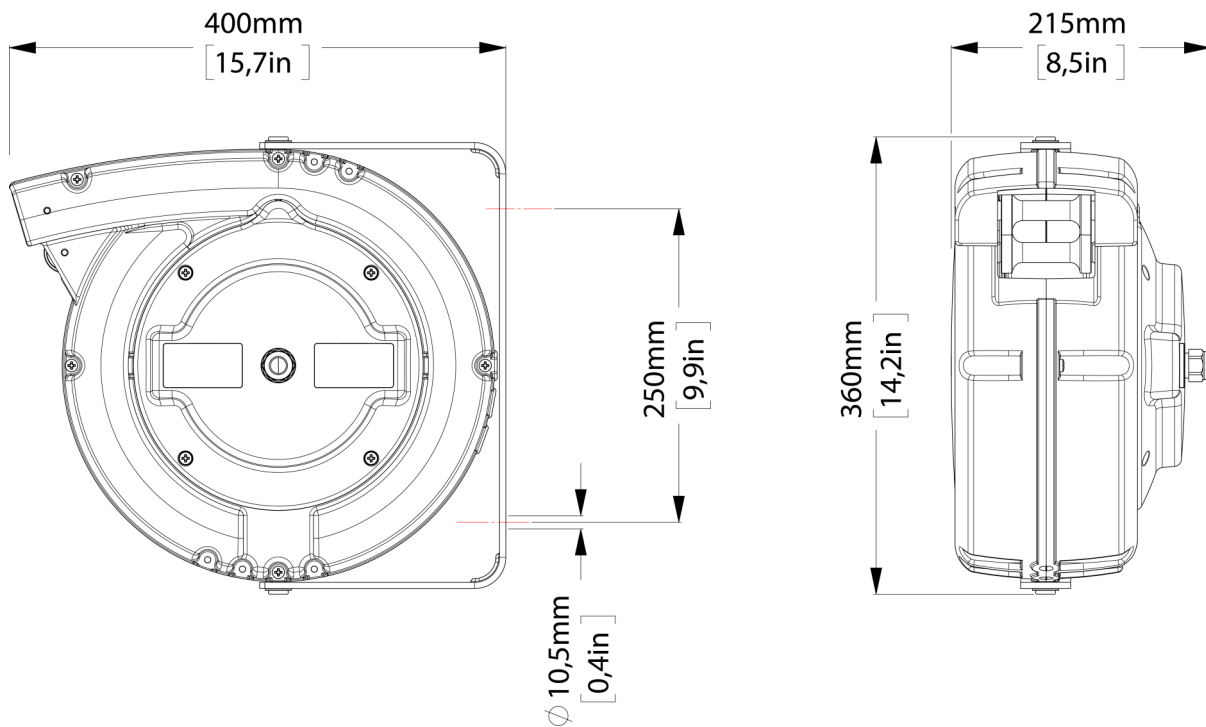
2014/35/UE
2006/42/CE
2011/65/UE



TECHNICAL DATA

| Article | Cable length (m) | Reel cable length (m) | Cut length (m) | Number of conductors | Cross-section (mm ²) | Wound cable capacity (@20°C) | Unwound cable capacity (@20°C) | Cable diameter (mm) | Thermal switch | V max | Cable type |
|----------------------|------------------|-----------------------|----------------|----------------------|----------------------------------|------------------------------|--------------------------------|---------------------|----------------|-------|------------|
| 6181/PRC/IP65 | 23 | 21 | 2 | 4 G | 1.5 | 1,1 KW @ 400V | 1,8 KW @ 400V | 8.5 | NO | 500 | PVC |

Please note: The images are for illustrative and explanatory purposes only

OVERALL DIMENSIONS**Technical features**

- Die-cast aluminum structure painted with epoxy powders.
- Roller cable guide mouth.
- Cable stop device with rack that can be inserted every 50 cm. All cable reels are supplied with the cable stop device disconnected. Easily insertable.
- Double ground contact.
- Collector with brass rings and special brushes with very low voltage drop.
- Collector insulation voltage 2.5 KV.
- Sliding contacts with collector ring and brushes.
- Degree of protection IP65.
- Ambient operating temperature -5 ° C / + 50 ° C.
- Supplied with 2 m long power cable section.

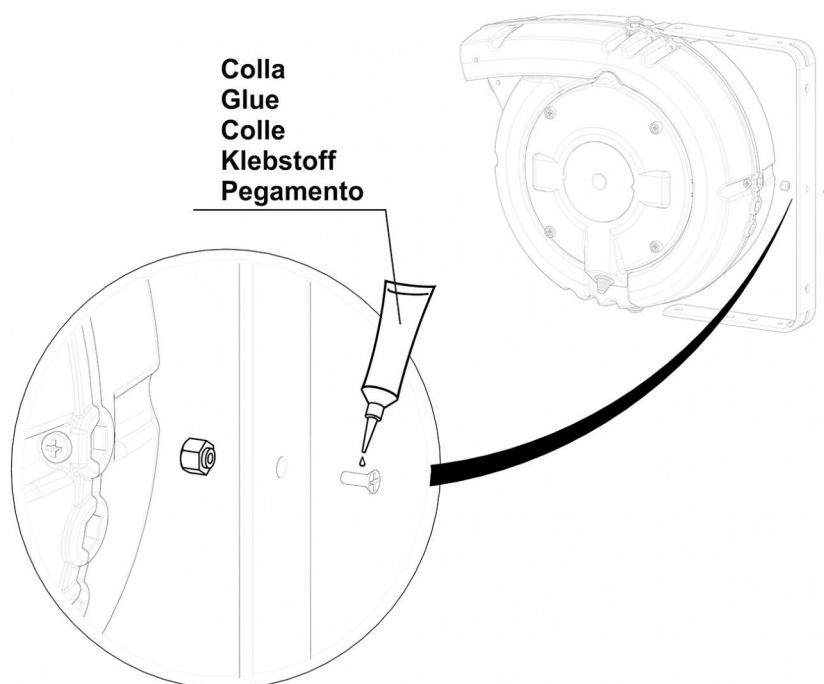
ARTICLE 6100 WILL BE SUPPLIED UNFITTED.

ART. 6100

PRC to PRL transformation kit

**OPTIONAL
ACCESSORIES AND
SPARE PARTS****ART. 949/PR**

Optional device to make the hose reel fixed instead of swiveling.
Indispensable for ceiling application.

**ART. 953**

Bocca a rulli per avvolgitore.
Indispensabile per le applicazioni a soffitto.
Consigliata nelle applicazioni dove il tiro del cavo non è in asse rispetto alla bocca dell'avvolgicavo

