

# ZECA

Z

TECHNICAL EXCELLENCE. SINCE 1929.

## CABLE REEL FOR EARTHING

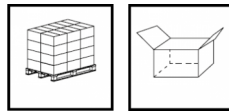
EARTHING CABLE REEL  
WITH EXPLOSION-  
PROOF CLAMP

**ART. 6195/IP65/723**

Length (m)  
**24**

Number of conductors  
**1 x**

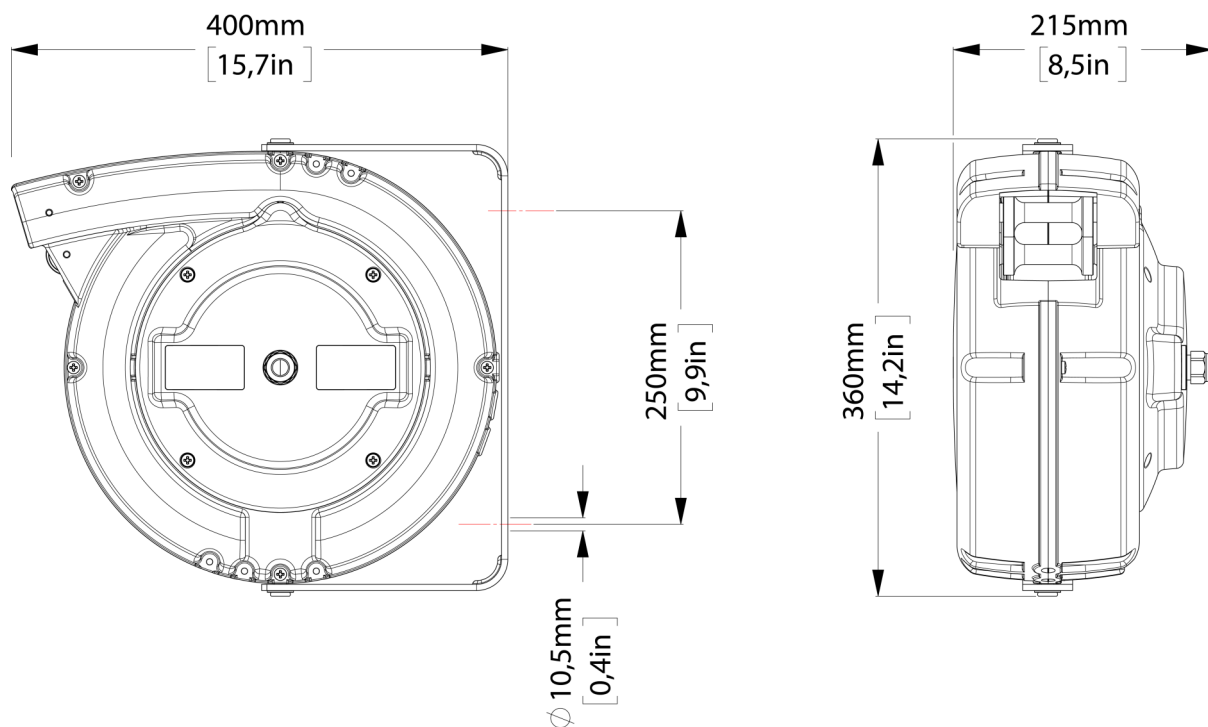
Cross-section (mm<sup>2</sup>)  
**6**



### TECHNICAL DATA

Article	Number of conductors	Cross-section (mm <sup>2</sup> )	Cable length (m)	Reel cable length (m)	Cable diameter (mm)	Cable type	Winder protection grade
6195/IP65/723	1x	6	24	24	5.5	H05 V-F	IP42

Please note: The images are for illustrative and explanatory purposes only

**OVERALL DIMENSIONS****Technical characteristics cable reel**

- The cable reel is not explosion proof.
- Install the cable reel in the "Safe Zone" pursuant to directive 99/92 / EC.
- Single core cable 1x6 mm<sup>2</sup> H05 V-F in yellow / green color.

**Gripper technical characteristics**

Protection method:

- II 2 G Ex d IIC T6 Gb.
- II 2 D Ex tb IIIC T85 ° C Db.
- Compliant with standards EN 60079-0: 2009, EN 60079-1: 2007, EN 60529: 1997+A1, EN 60079-31: 2009.
- CESI 03 ATEX 101X approval.
- In compliance with the ATEX 94/9 / CE directive.
- Suitable for use in potentially explosive atmospheres with the presence of group IIC gas and flammable dust.
- Equipped with anti-tear reopening system.
- Reliable, sturdy, easy to handle and to use.
- Insulation voltage 3 KV.
- Nominal current 10A.
- Weight 0.65 gr.
- Opening (mm) 3 - 20.
- Dimensions (mm) 250 x 110 x 35.
- IP 65.
- Ambient temperature: -20°C + 55°C.

Please note: The images are for illustrative and explanatory purposes only