

# ZECA

TECHNICAL EXCELLENCE. SINCE 1929.

## INDUSTRIAL CABLE REELS

SERIES 6000 PRC/PRL  
IP65

**ART. 6195/PRC/IP65**

Length (m)  
**24**

Number of conductors  
**1X**

Cross-section (mm<sup>2</sup>)  
**6**



**IP65**

EN 61242  
EN 60335-1  
EN 61316

**CE**

2014/35/UE  
2006/42/CE  
2011/65/UE

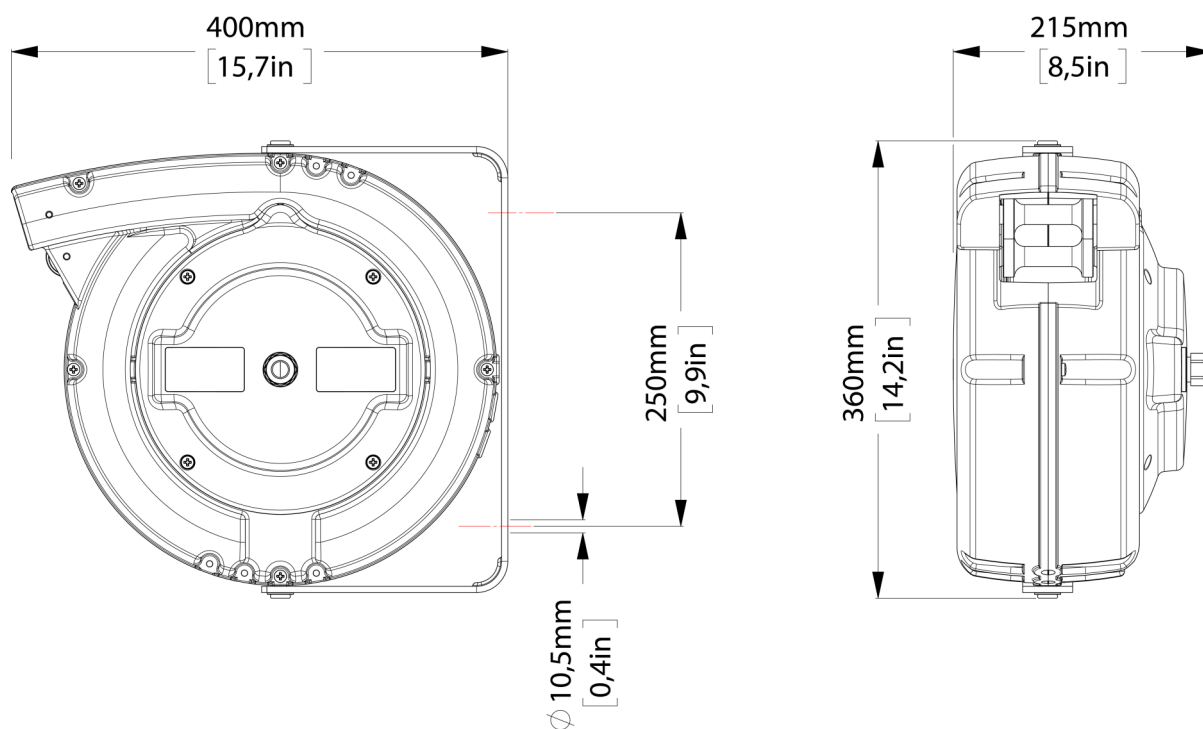


### TECHNICAL DATA

| Article              | Cable length (m) | Reel cable length (m) | Cut length (m) | Number of conductors | Cross-section (mm <sup>2</sup> ) | Cable diameter (mm) | Thermal switch | Oversized collector | Cable type |
|----------------------|------------------|-----------------------|----------------|----------------------|----------------------------------|---------------------|----------------|---------------------|------------|
| <b>6195/PRC/IP65</b> | 24               | 22                    | 2              | 1X                   | 6                                | 5.5                 | NO             | YES                 | PVC        |

Please note: The images are for illustrative and explanatory purposes only

## OVERALL DIMENSIONS



## Technical features

- Die-cast aluminum structure painted with epoxy powders.
- Roller cable guide mouth.
- Cable stop device with rack that can be inserted every 50 cm. All cable reels are supplied with the cable stop device disconnected. Easily insertable.
- Double ground contact.
- Collector with brass rings and special brushes with very low voltage drop.
- Collector insulation voltage 2.5 KV.
- Sliding contacts with collector ring and brushes.
- Degree of protection IP65.
- Ambient operating temperature -5 ° C / + 50 ° C.
- Supplied with 2 m long power cable section.

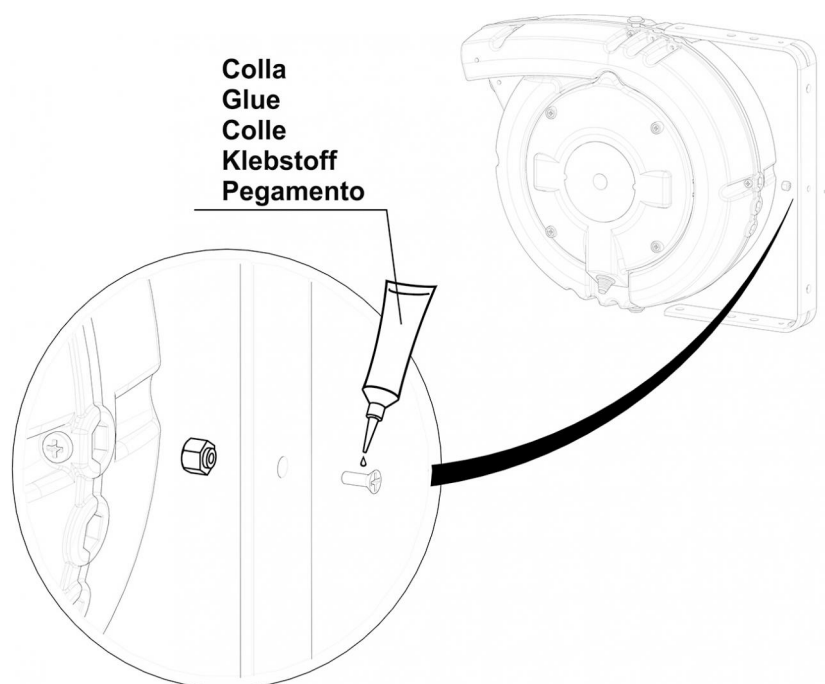
ARTICLE 6100 WILL BE SUPPLIED UNFITTED.

**ART. 6100**

PRC to PRL transformation kit

**OPTIONAL  
ACCESSORIES AND  
SPARE PARTS****ART. 949/PR**

Optional device to make the hose reel fixed instead of swiveling.  
Indispensable for ceiling application.

**ART. 953**

Bocca a rulli per avvolgitore.  
Indispensabile per le applicazioni a soffitto.  
Consigliata nelle applicazioni dove il tiro  
del cavo non è in asse rispetto alla bocca  
dell'avvolgicavo

