

ZECA

Z

TECHNICAL EXCELLENCE. SINCE 1929.

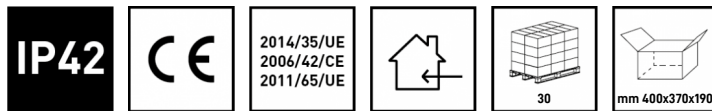
INDUSTRIAL CABLE REELS SERIES 6000 PRC

ART. 6198/PRC

Length (m)
30

Number of conductors
1 X

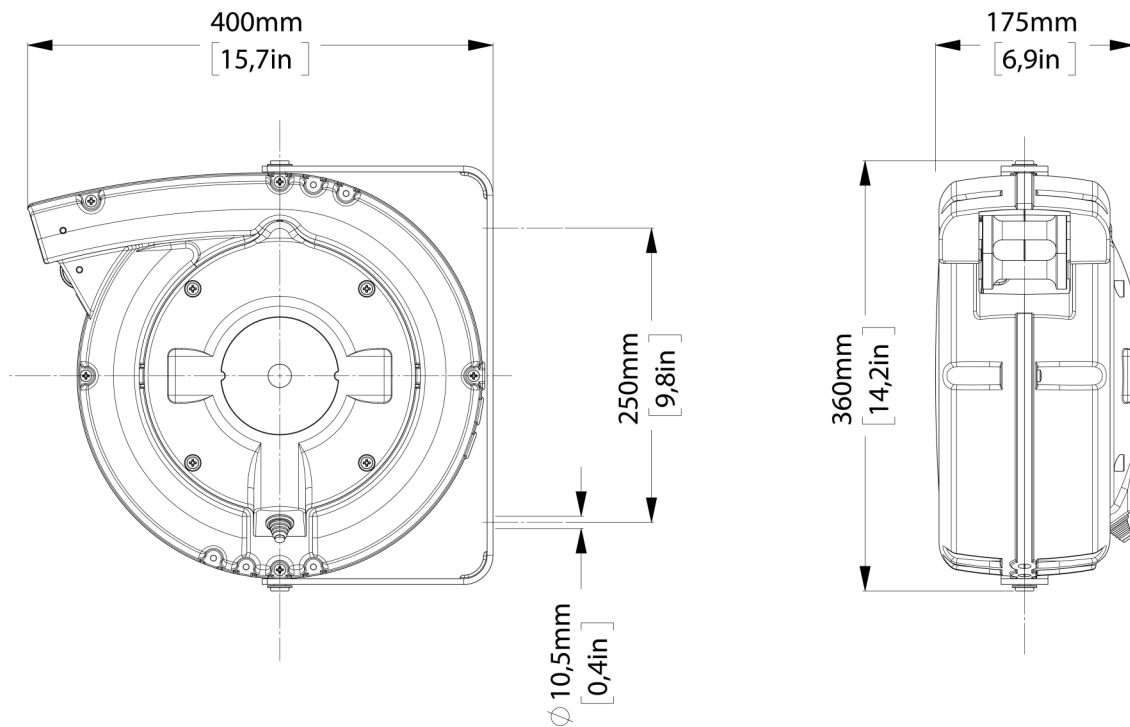
Cross-section (mm²)
2.5



TECHNICAL DATA

Article	Cable length (m)	Reel cable length (m)	Cut length (m)	Number of conductors	Cross-section (mm ²)	Cable diameter (mm)	Thermal switch	Cable type
6198/PRC	30	28	2	1 X	2.5	5.5	NO	PVC

Please note: The images are for illustrative and explanatory purposes only

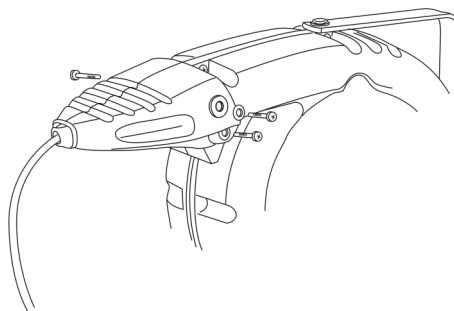
OVERALL DIMENSIONS**Technical features**

- Die-cast aluminum structure painted with epoxy powders.
- Roller cable guide mouth.
- Cable stop device with rack that can be inserted every 50cm. All cable reels are supplied with the cable stop device disconnected. Easily insertable.
- Double ground contact.
- Collector with brass rings and special brushes with very low voltage drop.
- Collector insulation voltage 2.5 KV.
- Sliding contacts with collector ring and brushes.
- Degree of protection IP42.
- Ambient operating temperature -5 ° C / + 50 ° C.
- Supplied without piece on the power supply side.
- Models with both PVC and rubber cables are available.

(**) For these models, the values in the coil axis direction must be increased by 75 mm.

**OPTIONAL
ACCESSORIES AND
SPARE PARTS****ART. 6100**

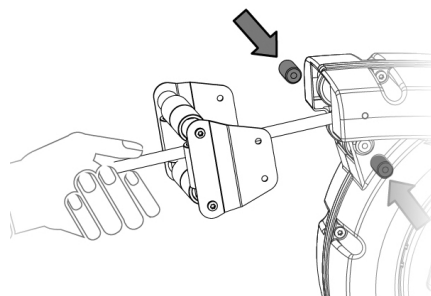
PRC to PRL transformation kit

**ART. 953**

Bocca a rulli per avvolgitore.

Indispensabile per le applicazioni a soffitto.

Consigliata nelle applicazioni dove il tiro del cavo non è in asse rispetto alla bocca dell'avvolgitore.

**ART. 949/PR**

Dispositivo opzionale per rendere fisso, anziché orientabile, l'avvolgitubo. Indispensabile per l'applicazione a soffitto.

