

ZECA

TECHNICAL EXCELLENCE. SINCE 1929.

BALANCERS

Series 63X stainless steel wire rope

ART. 630

type
Balancer

Cable type
INOX Steel

Capacity (kg)
0,4 ÷ 1B427

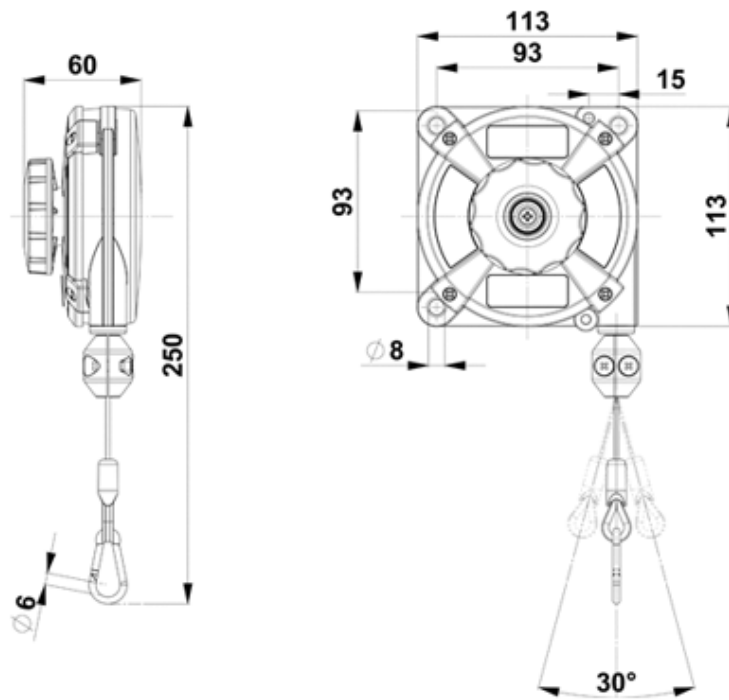


TECHNICAL DATA

Article	Description	Fall prevention system	Cable diameter (mm)	Cable Type	Capacity (kg)	weight (gr)
630	Balancer	no	2	INOX Steel	0,4 ÷ 1B427	630

Please note: The images are for illustrative and explanatory purposes only

OVERALL DIMENSIONS



Technical features

- Die-cast aluminum structure.
- Continuous load regulation from maximum to minimum value.
- Rope travel easily adjustable to adapt to every need.
- Four suspension points.
- Three anchor points.

The support cable can be in stainless steel or in HT polyethylene textile fiber.

BALANCERS WITH STAINLESS STEEL SUPPORT CABLE

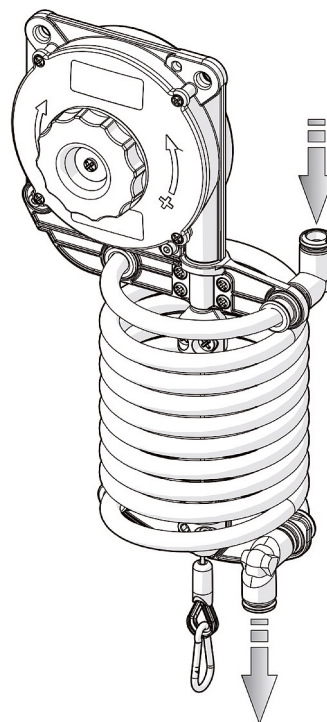
For operators who prefer metal cables, we offer the balancer with stainless steel cable.

OPTIONAL
ACCESSORIES AND
SPARE PARTS

ART. 982

Spiral hose (PA12) 8 x 10 for
balancers.

This useful accessory can be applied on
balancers art. 620, 621, 622, 630, 631 and 632.
It is supplied with assembly instructions,
all accessories and 1 m of additional hose
for connection to the compressed air
network and to the tool.



Please note: The images are for illustrative and explanatory purposes only