

# ZECA

Z

TECHNICAL EXCELLENCE. SINCE 1929.

## BALANCERS

Series 63X stainless steel wire rope

### ART. 636

type

**Balancer with safety system**

Cable type

**INOX Steel**

Capacity (kg)

**8 ÷ 10**

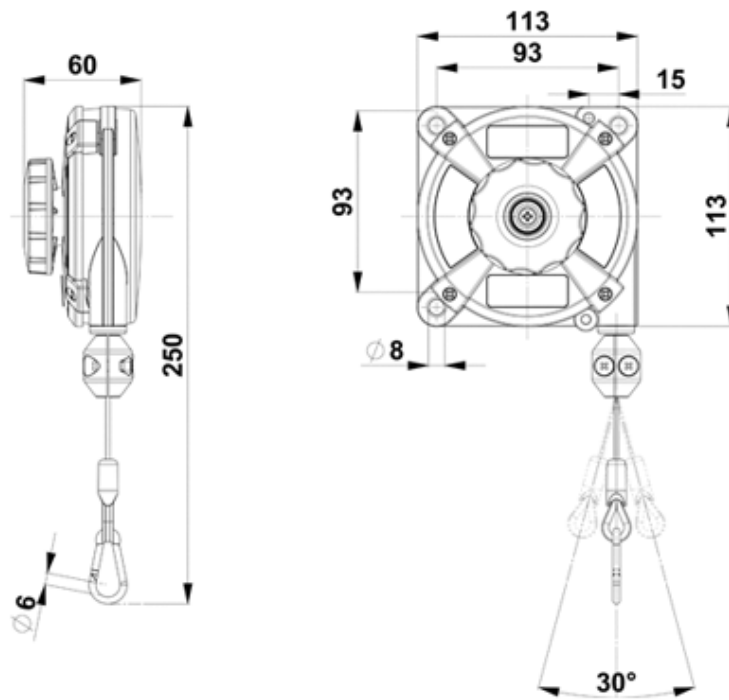


### TECHNICAL DATA

Article	Description	Fall prevention system	Cable diameter (mm)	Cable Type	Capacity (kg)	weight (gr)
636	Balancer with safety system	yes	2.5	INOX Steel	8 ÷ 10	3200

Please note: The images are for illustrative and explanatory purposes only

OVERALL DIMENSIONS



Technical features

- Die-cast aluminum structure.
- Continuous load regulation from maximum to minimum value.
- Rope travel easily adjustable to adapt to every need.
- Four suspension points.
- Three anchor points.

The support cable can be in stainless steel or in HT polyethylene textile fiber.

**BALANCERS WITH STAINLESS STEEL SUPPORT CABLE**

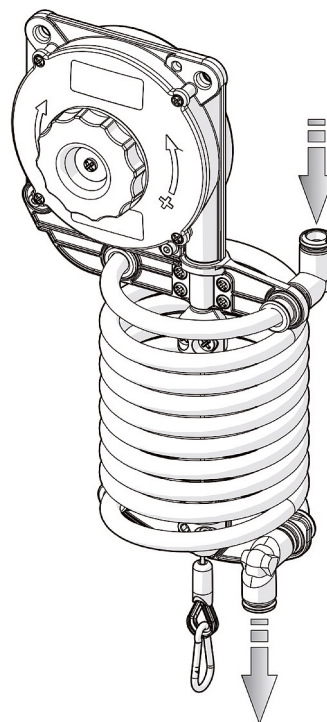
For operators who prefer metal cables, we offer the balancer with stainless steel cable.

OPTIONAL  
ACCESSORIES AND  
SPARE PARTS

**ART. 982**

Spiral hose (PA12) 8 x 10 for  
balancers.

This useful accessory can be applied on  
balancers art. 620, 621, 622, 630, 631 and 632.  
It is supplied with assembly instructions,  
all accessories and 1 m of additional hose  
for connection to the compressed air  
network and to the tool.



Please note: The images are for illustrative and explanatory purposes only