

# ZECA

Z

TECHNICAL EXCELLENCE. SINCE 1929.

## INDUSTRIAL CABLE REELS SERIES 6000 PRC

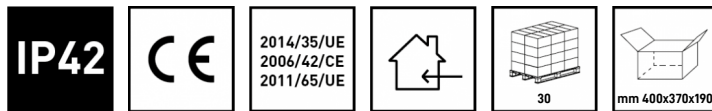
### ART. 6458/PRC

Length (m)  
**10**

Number of conductors  
**4 G**

Cross-section (mm<sup>2</sup>)  
**4**

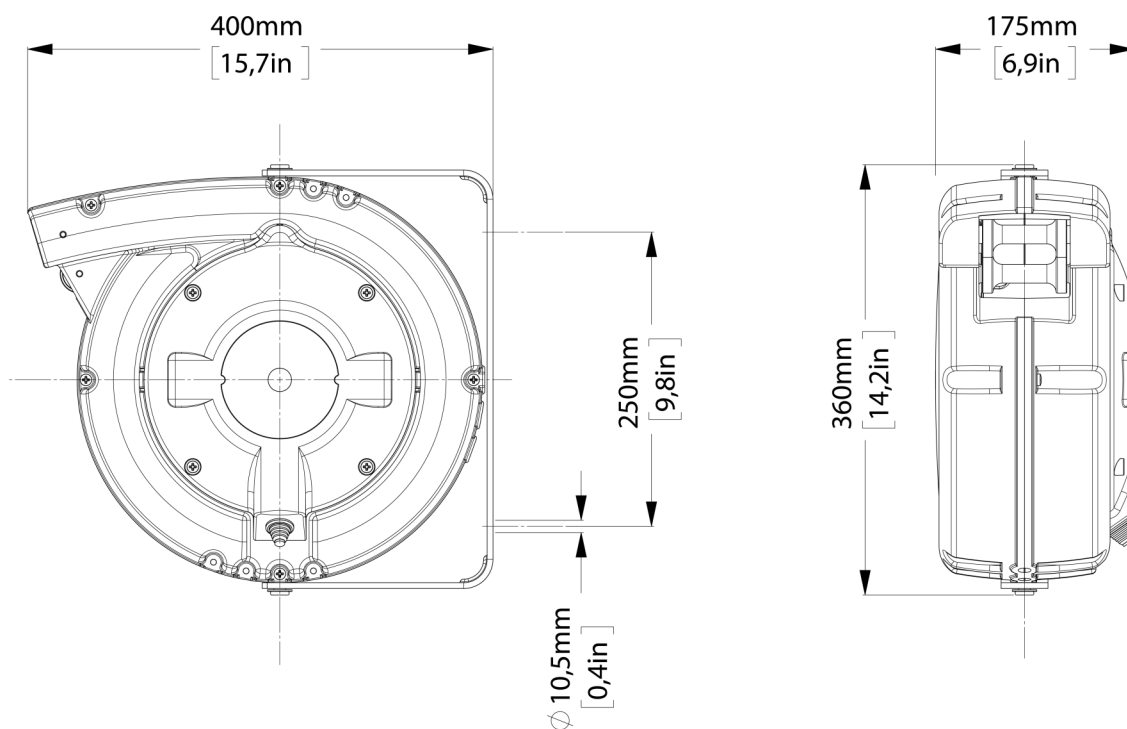
Wound cable capacity (@20°C)  
**3,0 KW @ 400V**



### TECHNICAL DATA

Article	Cable length (m)	Reel cable length (m)	Cut length (m)	Number of conductors	Cross-section (mm <sup>2</sup> )	Wound cable capacity (@20°C)	Unwound cable capacity (@20°C)	Cable diameter (mm)	Thermal switch	Oversized collector	V max	Cable type
6458/PRC	10	8	2	4 G	4	3,0 KW @ 400V	4,0 KW @ 400V	14	NO	YES	500	PVC

Please note: The images are for illustrative and explanatory purposes only

**OVERALL DIMENSIONS****Technical features**

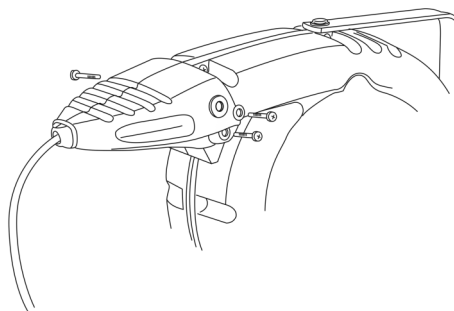
- Die-cast aluminum structure painted with epoxy powders.
- Roller cable guide mouth.
- Cable stop device with rack that can be inserted every 50cm. All cable reels are supplied with the cable stop device disconnected. Easily insertable.
- Double ground contact.
- Collector with brass rings and special brushes with very low voltage drop.
- Collector insulation voltage 2.5 KV.
- Sliding contacts with collector ring and brushes.
- Degree of protection IP42.
- Ambient operating temperature -5 ° C / + 50 ° C.
- Supplied without piece on the power supply side.
- Models with both PVC and rubber cables are available.

(\*\*) For these models, the values in the coil axis direction must be increased by 75 mm.

OPTIONAL  
ACCESSORIES AND  
SPARE PARTS

**ART. 6100**

PRC to PRL transformation kit

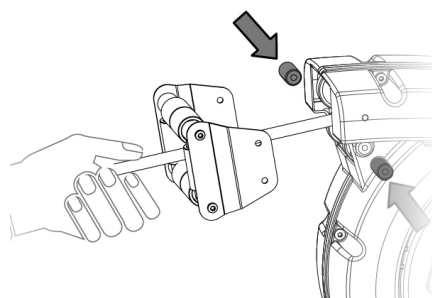


**ART. 953**

Bocca a rulli per avvolgitore.

Indispensabile per le applicazioni a soffitto.

Consigliata nelle applicazioni dove il tiro del cavo non è in asse rispetto alla bocca dell'avvolgitore



**ART. 949/PR**

Dispositivo opzionale per rendere fisso, anziché orientabile, l'avvolgitubo. Indispensabile per l'applicazione a soffitto.

