

ZECA

TECHNICAL EXCELLENCE. SINCE 1929.

INDUSTRIAL CABLE REELS

SERIES 6000 PRC/PRL
IP65

ART. 6521/PRC/IP65

Length (m)
17

Number of conductors
4 G

Cross-section (mm²)
2.5

Wound cable capacity (@20°C)
2,0 KW @ 400V

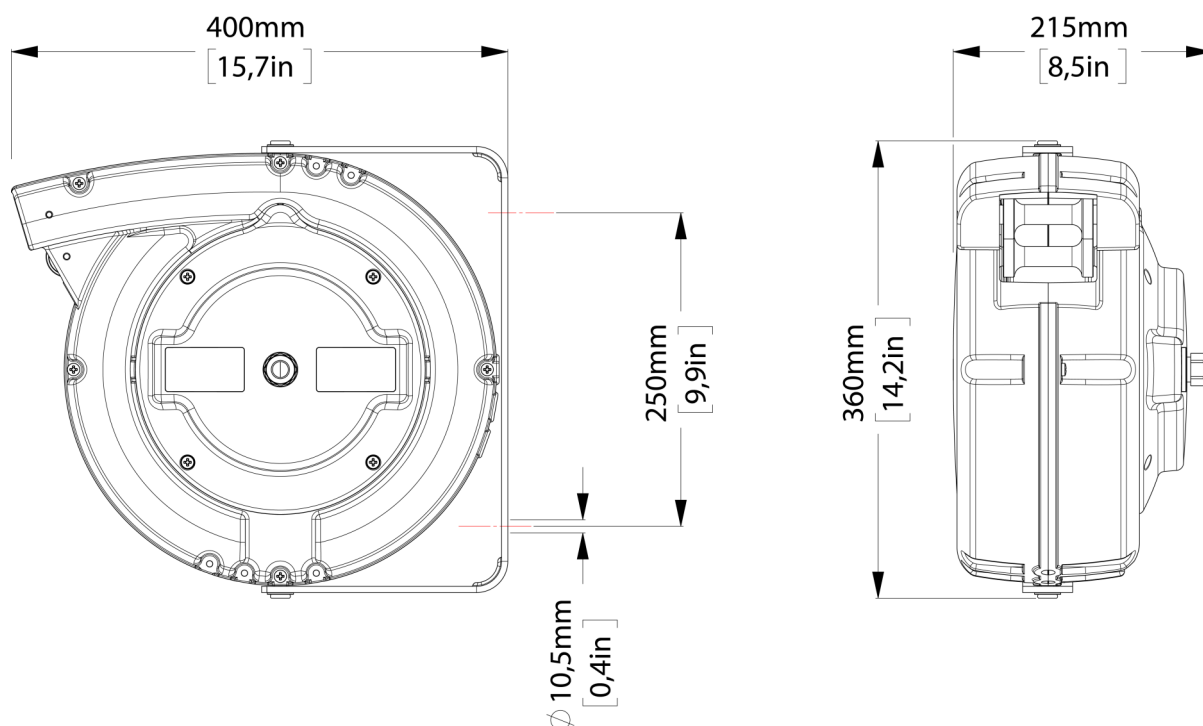


TECHNICAL DATA

Article	Cable length (m)	Reel cable length (m)	Cut length (m)	Number of conductors	Cross-section (mm ²)	Wound cable capacity (@20°C)	Unwound cable capacity (@20°C)	Cable diameter (mm)	Thermal switch	Oversized collector	V max	Cable type
6521/PRC/IP65	17	15	2	4 G	2.5	2,0 KW @ 400V	3,0 KW @ 400V	11	NO	YES	500	PVC

Please note: The images are for illustrative and explanatory purposes only

OVERALL DIMENSIONS



Technical features

- Die-cast aluminum structure painted with epoxy powders.
- Roller cable guide mouth.
- Cable stop device with rack that can be inserted every 50 cm. All cable reels are supplied with the cable stop device disconnected. Easily insertable.
- Double ground contact.
- Collector with brass rings and special brushes with very low voltage drop.
- Collector insulation voltage 2.5 KV.
- Sliding contacts with collector ring and brushes.
- Degree of protection IP65.
- Ambient operating temperature -5 ° C / + 50 ° C.
- Supplied with 2 m long power cable section.

ARTICLE 6100 WILL BE SUPPLIED UNFITTED.

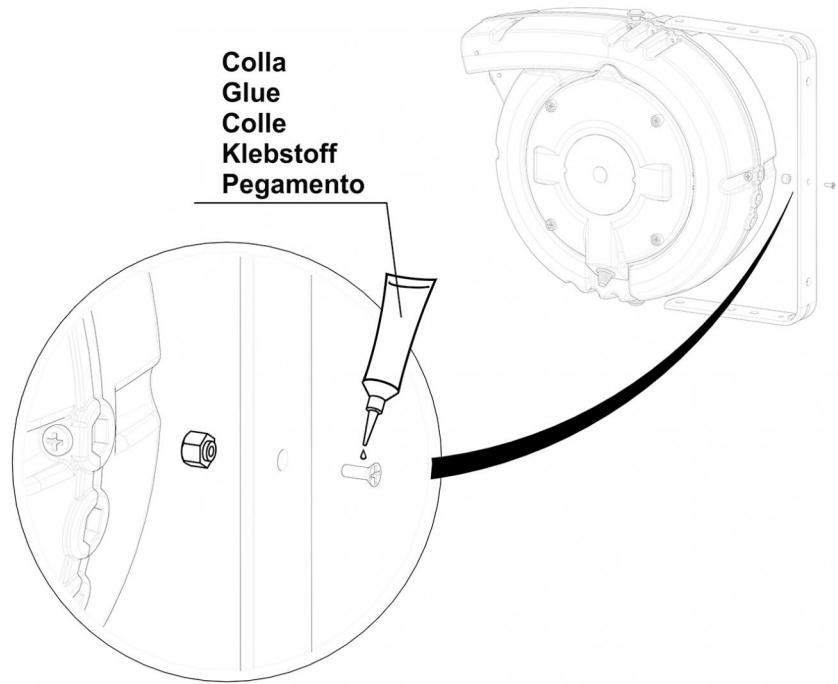
ART. 6100

PRC to PRL transformation kit

**OPTIONAL
ACCESSORIES AND
SPARE PARTS**

ART. 949/PR

Optional device to make the hose reel fixed instead of swiveling.
Indispensable for ceiling application.



ART. 953

Bocca a rulli per avvolgitore.
Indispensabile per le applicazioni a soffitto.

Consigliata nelle applicazioni dove il tiro del cavo non è in asse rispetto alla bocca dell'avvolgicavo

