

ZECA

TECHNICAL EXCELLENCE. SINCE 1929.

INDUSTRIAL CABLE REELS SERIES 6000 PRC

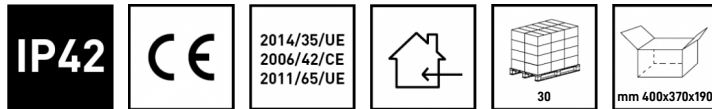
ART. 6521/PRC RNF

Length (m)
12

Number of conductors
4 G

Cross-section (mm²)
2.5

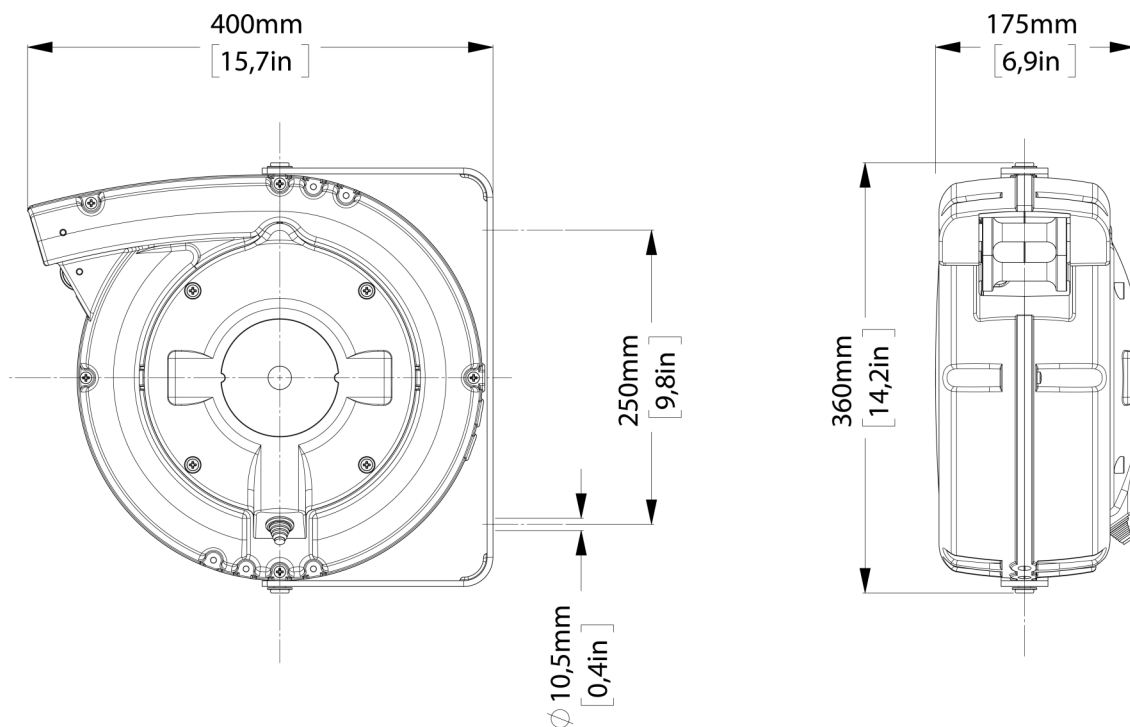
Wound cable capacity (@20°C)
2,0 KW @ 400V



TECHNICAL DATA

Article	Cable length (m)	Reel cable length (m)	Cut length (m)	Number of conductors	Cross-section (mm ²)	Wound cable capacity (@20°C)	Unwound cable capacity (@20°C)	Cable diameter (mm)	Thermal switch	Oversized collector	V max	Cable type
6521/PRC RNF	12	10	2	4 G	2.5	2,0 KW @ 400V	3,0 KW @ 400V	12.5	NO	YES	750	RUBBER (H07RN-F)

Please note: The images are for illustrative and explanatory purposes only

OVERALL DIMENSIONS**Technical features**

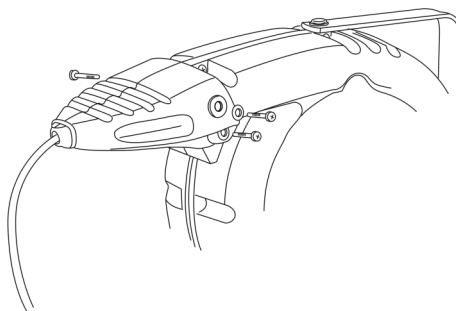
- Die-cast aluminum structure painted with epoxy powders.
- Roller cable guide mouth.
- Cable stop device with rack that can be inserted every 50cm. All cable reels are supplied with the cable stop device disconnected. Easily insertable.
- Double ground contact.
- Collector with brass rings and special brushes with very low voltage drop.
- Collector insulation voltage 2.5 KV.
- Sliding contacts with collector ring and brushes.
- Degree of protection IP42.
- Ambient operating temperature -5 ° C / + 50 ° C.
- Supplied without piece on the power supply side.
- Models with both PVC and rubber cables are available.

(**) For these models, the values in the coil axis direction must be increased by 75 mm.

OPTIONAL
ACCESSORIES AND
SPARE PARTS

ART. 6100

PRC to PRL transformation kit

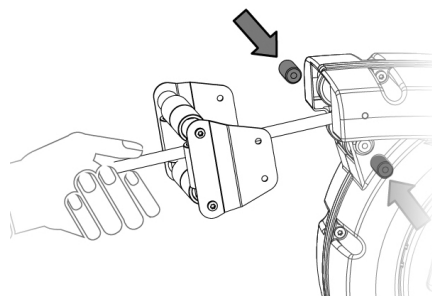


ART. 953

Bocca a rulli per avvolgitore.

Indispensabile per le applicazioni a soffitto.

Consigliata nelle applicazioni dove il tiro del cavo non è in asse rispetto alla bocca dell'avvolgitubo.



ART. 949/PR

Dispositivo opzionale per rendere fisso, anziché orientabile, l'avvolgitubo. Indispensabile per l'applicazione a soffitto.

